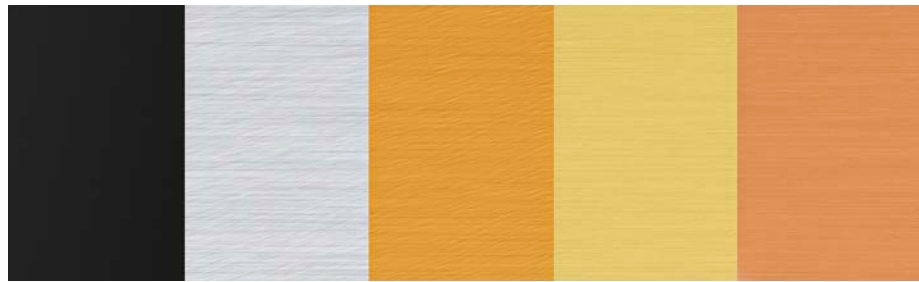


SEIZES[®]

S E A T I N G



SURFACE

SIGNAGE

SURFACE SIGNAGE

Signage is an important accessory for most assembly venues to communicate to the audience. Seat signage is useful for ticketing and crowd control, allowing you to uniquely identify each seat in your venue. SERIES Seating provides a range of standard signage options and finishes available, appropriate for the various seating styles and options that we offer. We always recommend the signage with greatest visual and legible contrast, but continue to offer a range of standard finishes to meet your project's finish requirements.

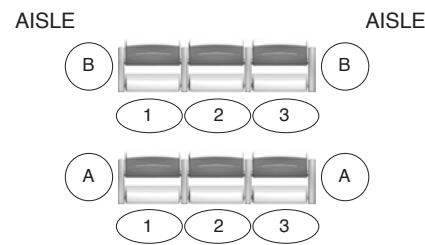
STANDARD NUMBER & LETTER SCHEMES

SCHEME 1

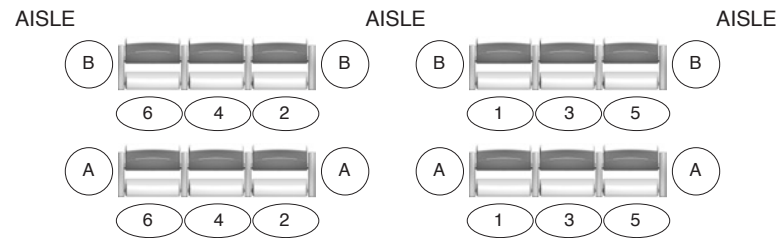
The SERIES standard and most widely accepted numbering & lettering schemes of auditorium seating are illustrated on pages 2 and 3. If you would like a customized numbering & lettering scheme, please provide us with an illustrated example and we'll implement it in our numbering & lettering drawings specifically for your project.

We recommend NOT using the letters (I) and (O), as they tend to look like the numbers one (1) and (0).

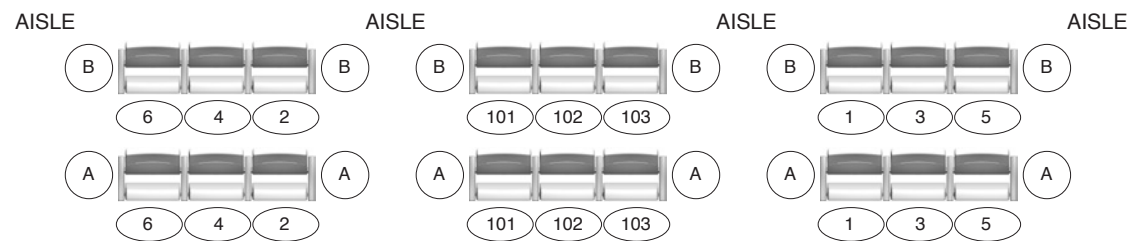
One Section Chairs



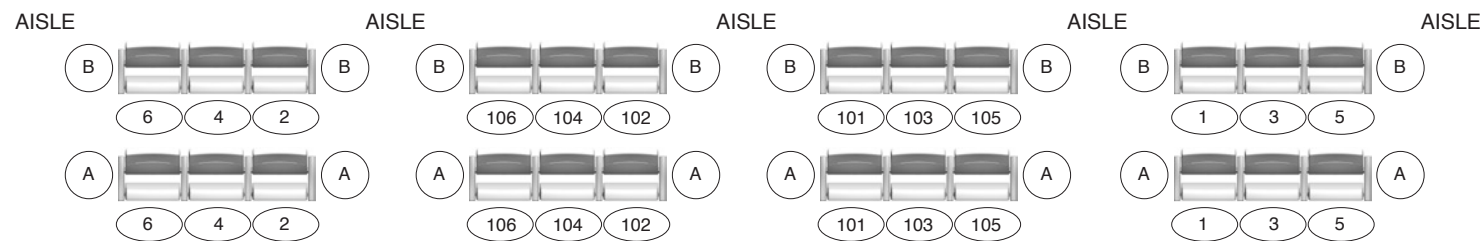
Two Section Chairs



Three Section Chairs



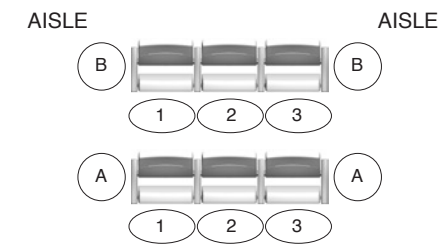
Four Section Chairs



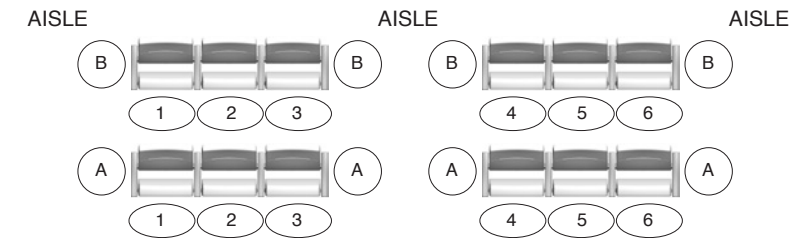
Additional Information

SCHEME 2

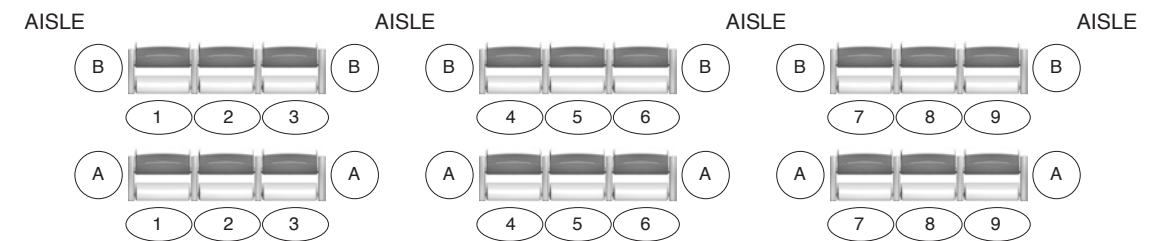
One Section Chairs



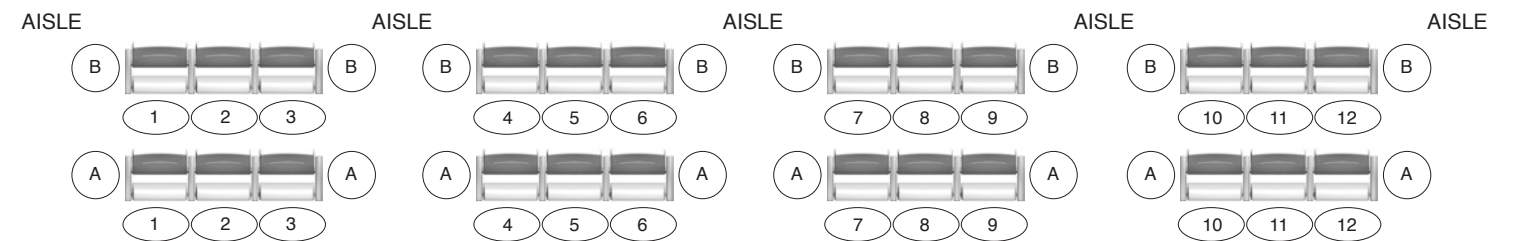
Two Section Chairs



Three Section Chairs



Four Section Chairs



Additional Information

SURFACE SIGNAGE

OVAL NUMBER SEAT PLATES

SERIES Seating oval number seat plates has been designed to be installed on upholstered chair seat cushions. The concealed fastener seamless design makes it easy to install and difficult to tamper with. All signage plates are protected with a transparent oven-baked epoxy coating.



PA9712
Black Plate Semi-matte Finish
Screen Painted
White Number.



PA32659
Brushed Stainless Steel Plate Finish
Engraved and in-filled
Black Number.



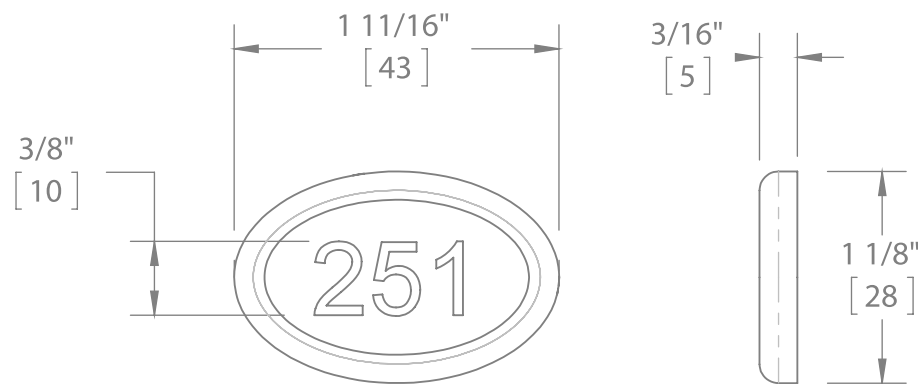
PA32660
Brass Plate Finish
Engraved and in-filled
Black Number.



PA32661
Bronze Plate Finish
Engraved and in-filled
Black Number.



PA32662
Copper Plate Finish
Engraved and in-filled
Black Number.



SCALE 1:1



SURFACE SIGNAGE

ROUND ANGLED AISLE PLATES

SERIES Seating round angled aisle plates has been designed to be installed on upholstered aisle panels. The concealed fastener seamless design makes it easy to install and difficult to tamper with. All signage plates are protected with a transparent oven-baked epoxy coating.



PA11615
Black Plate Semi-matte Finish
Screen Painted
White Letter.



PA32680
Brushed Stainless Steel Plate Finish
Engraved and in-filled
Black Letter.



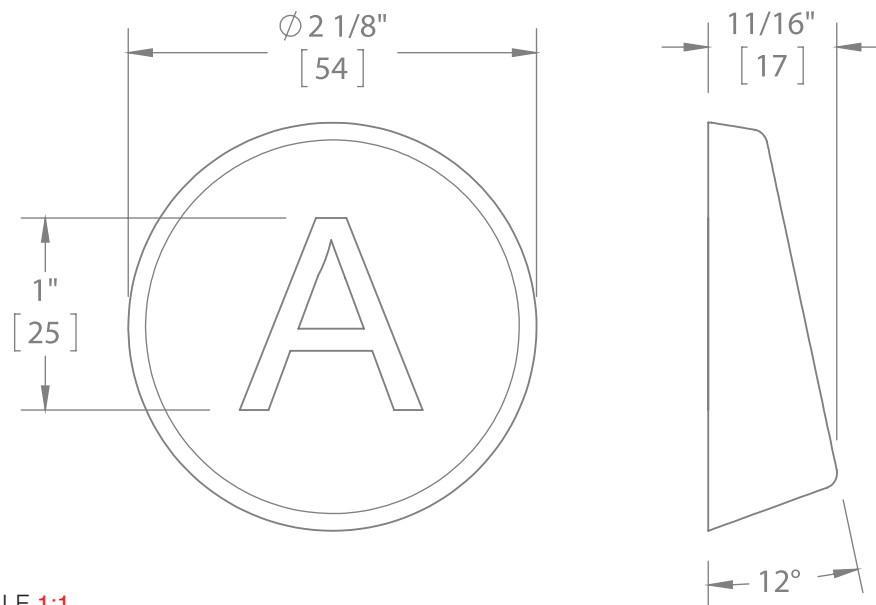
PA32681
Brass Plate Finish
Engraved and in-filled
Black Letter.



PA32682
Bronze Plate Finish
Engraved and in-filled
Black Letter.



PA32683
Copper Plate Finish
Engraved and in-filled
Black Letter.



SCALE 1:1



SURFACE SIGNAGE

ROUND ANGLED ADA AISLE PLATES

SERIES Seating round angled ADA aisle plates has been designed to be installed on upholstered aisle panels. The concealed fastener seamless design makes it easy to install and difficult to tamper with. All signage plates are protected with a transparent oven-baked epoxy coating.



PA31360
Black Plate Semi-matte Finish
Screen Painted
White ADA Symbol.



PA32718
Brushed Stainless Steel Plate Finish
Engraved and in-filled
Black ADA Symbol.



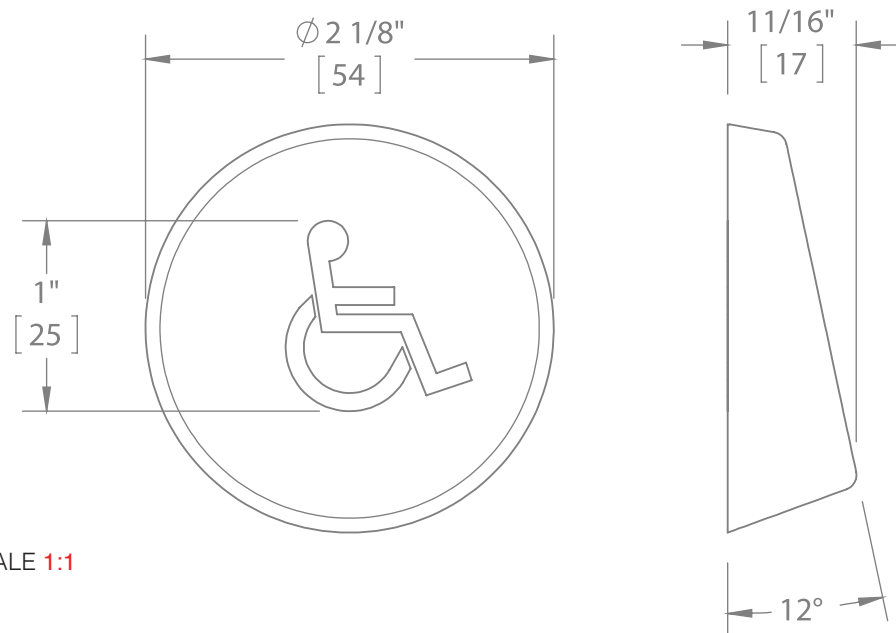
PA32719
Brass Plate Finish
Engraved and in-filled
Black ADA Symbol.



PA32720
Bronze Plate Finish
Engraved and in-filled
Black ADA Symbol.



PA32721
Copper Plate Finish
Engraved and in-filled
Black ADA Symbol.



SCALE 1:1



SURFACE SIGNAGE

OVAL DONOR BACK PLATES

SERIES Seating oval donor back plates has been designed to be installed on upholstered backs. The concealed fastener seamless design makes it easy to install and difficult to tamper with. All signage plates are protected with a transparent oven-baked epoxy coating.



PA9029
Black Plate Semi-matte Finish
Silver Letters
when engraved by others.



PA9031
Brushed Stainless Steel Plate Finish
in-filled Black Letters
when engraved by others.



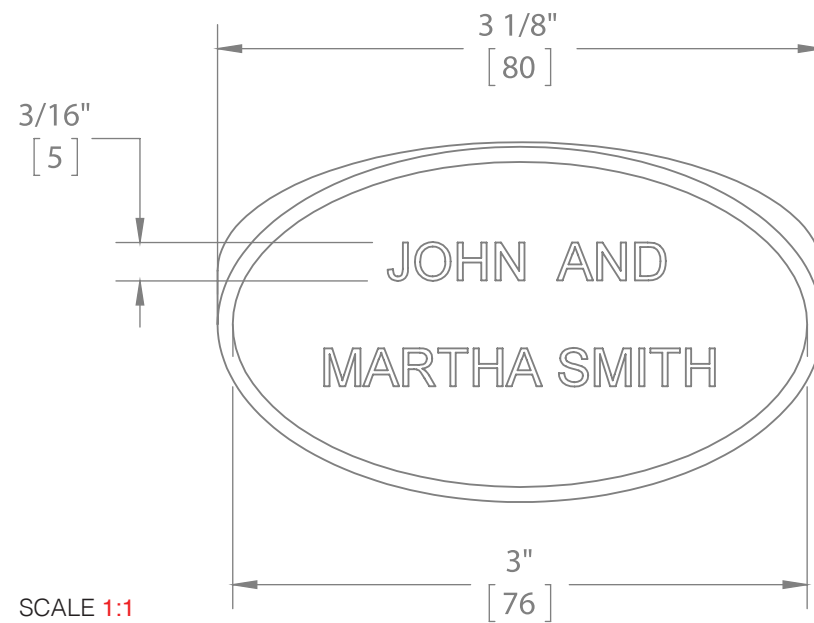
PA32751
Brass Plate Finish
in-filled Black Letters
when engraved by others.



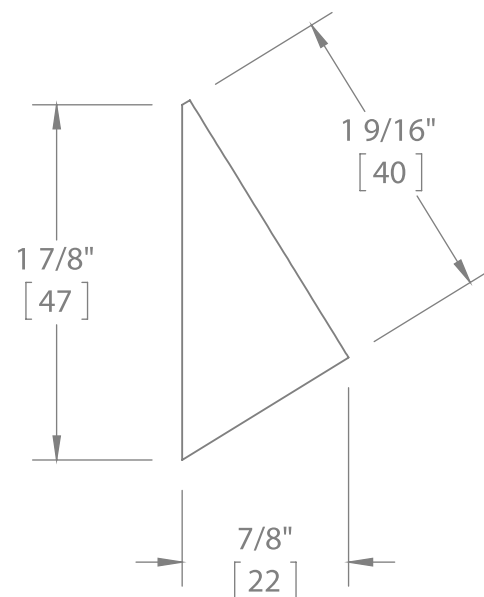
PA32752
Bronze Plate Finish
in-filled Black Letters
when engraved by others.



PA32753
Copper Plate Finish
in-filled Black Letters
when engraved by others.



SCALE 1:1



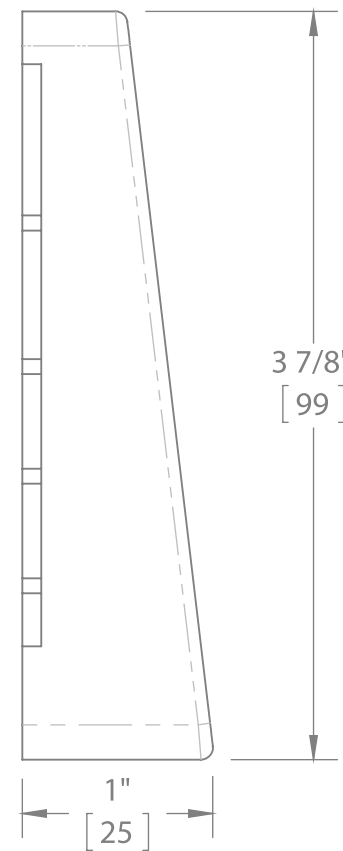
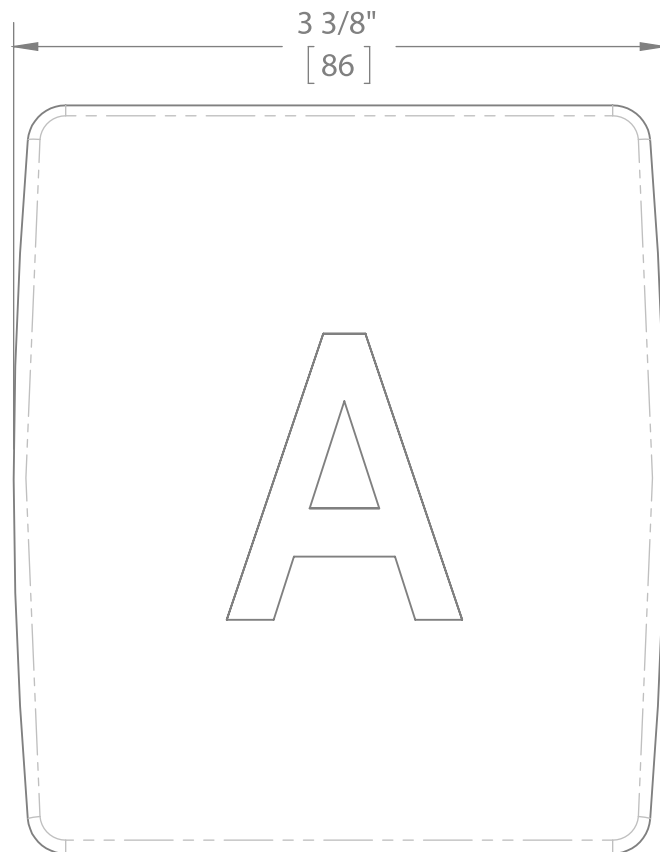
SUPPORT SIGNAGE

END PANEL G

SERIES Seating End Panel G has been designed to be installed on contemporary open row ends. This style provides a clean aisle letter angled for easier viewing, with concealed fastening to the chair support.



PA30146 / 47
End Panel G Semi-matte Finish
Screen Painted White Letter.



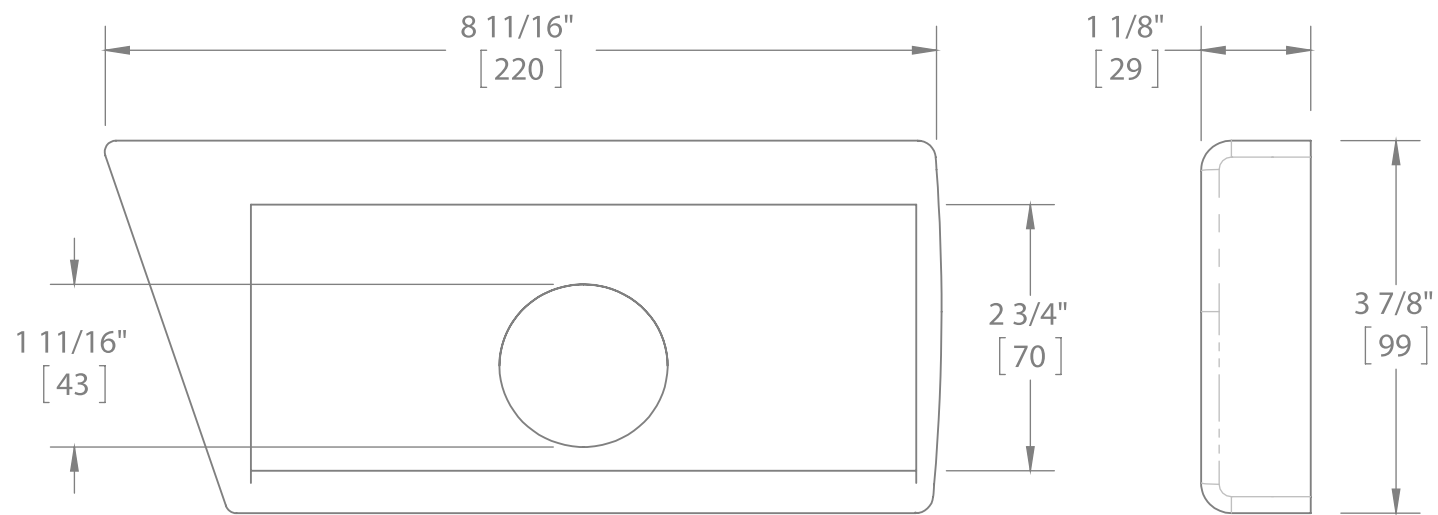
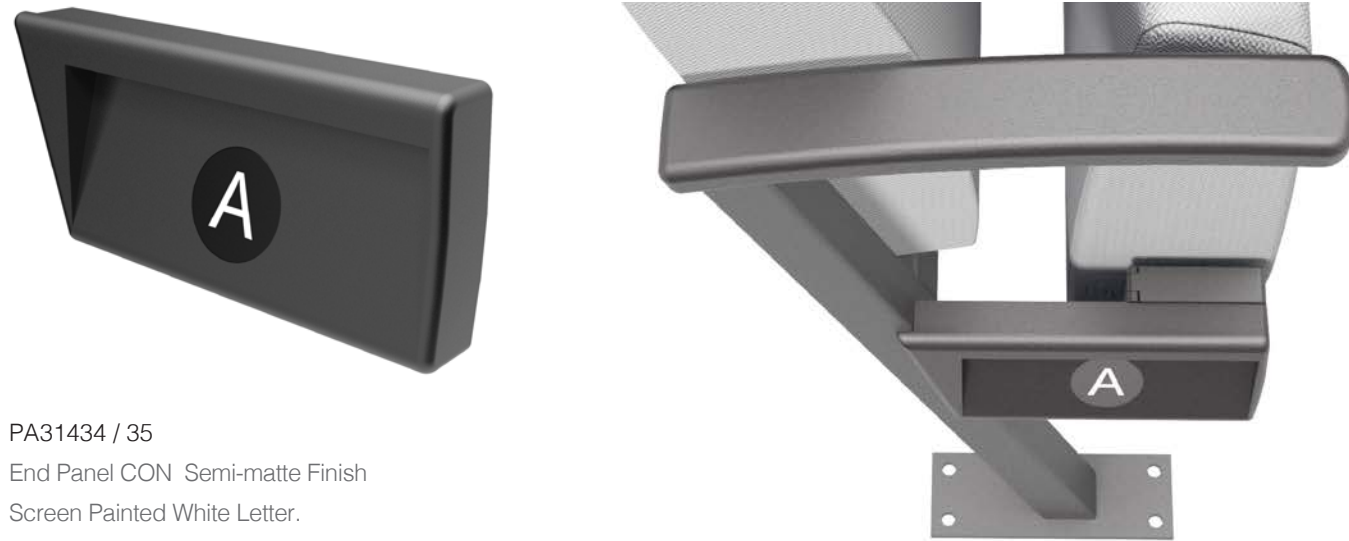
SCALE 1:1



SUPPORT SIGNAGE

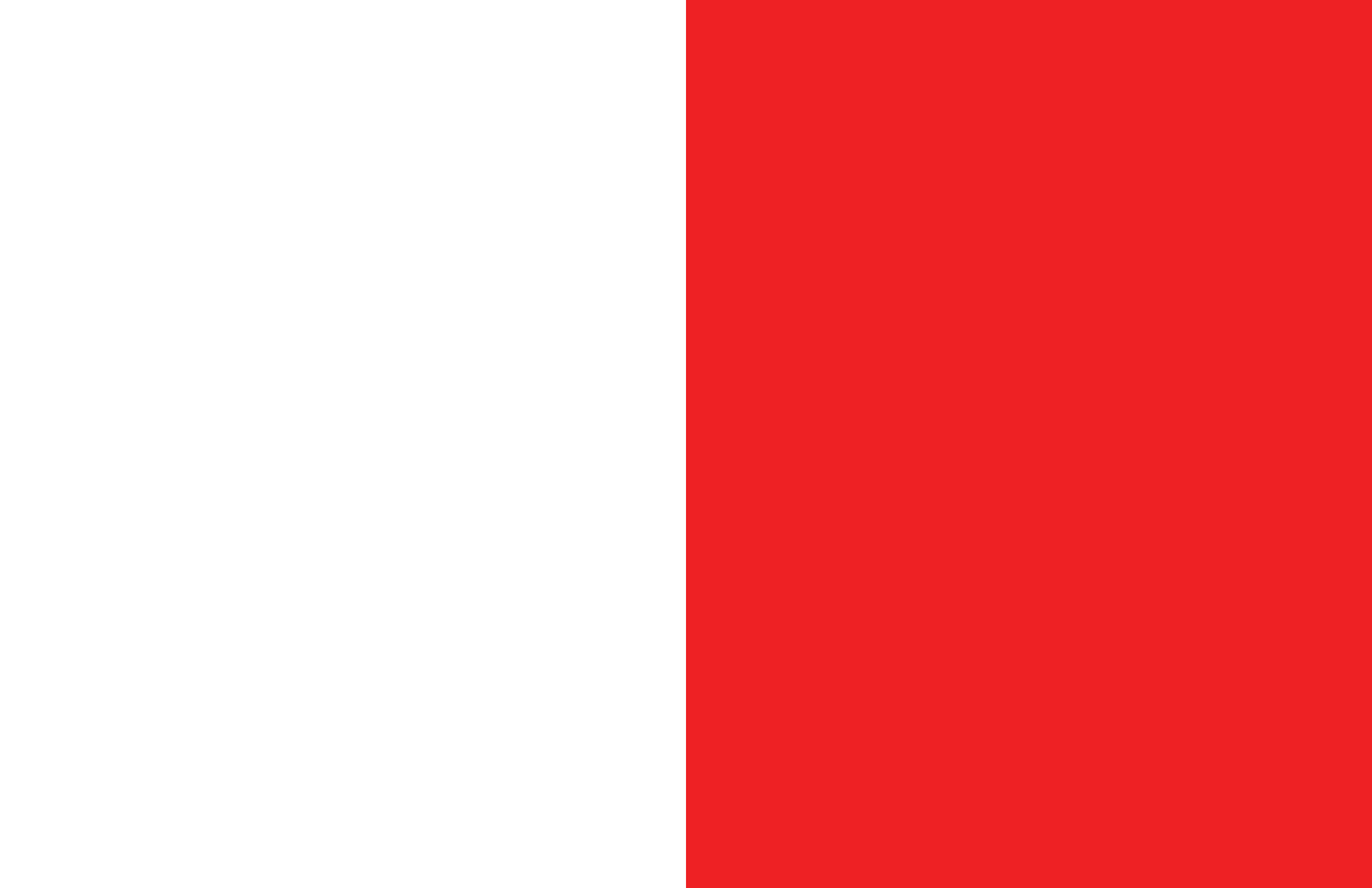
END PANEL CON

SERIES Seating End Panel CON has been designed to be installed on contemporary open row ends. This style provides an angled polyurethane housing for easier viewing of the letter, with concealed fastening to the chair support. The polyurethane housing was designed to accommodate both the letter and low voltage aisle lighting on our contemporary open row ends.



SCALE 1:2







SERIES USA

Corporate Headquarters

20900 NE 30th Avenue

Suite 901

Miami, FL 33180

P 1 - 800 - 729 - 1190 | + 1 - 305 - 932 - 4626

E info@seriesseating.com

SERIESSEATING.COM

SERIES Colombia

Carrera 7A Km. 21

Chía, Cundinamarca 250008

Código Postal 250008

P + 57 - 1 - 676 - 0225

E info@seriesseating.com

SERIESSEATING.COM

SERIES Australia PTY LTD

57 Carnarvon Drive

Frenchs Forest, NSW 2086

P + 61 - 2 - 9986 - 3878 | + 61 - 412 - 085 - 982 | + 61 - 0412 - 435 - 089

E rxp@hadleyaustralia.com.au | hadley@hadleyaustralia.com.au

HADLEYAUSTRALIA.COM.AU | SERIESSEATING.COM

Member of Australasian Furnishing Research & Development Institute

© 2016 SERIES® Seating

Printed in USA by SERIES® Printing on FSC certified paper

1021161158



C0240256